

## GENERAL CHARACTERISTICS



Level controls with 1 electrical contact, reliable, compact and easy to install. Designed to offer a range of level switches to meet the request for a cheap monitoring of the level in small tanks. Rugged construction and low maintenance.

- **Stainless steel – AISI 316**
- Easy mounting, threaded or flanged.
- Hermetic and replaceable electrical contact.
- Operating ambient temperature -30 / +55 °C - 90% R.H.
- Minimum degree of protection IP65.



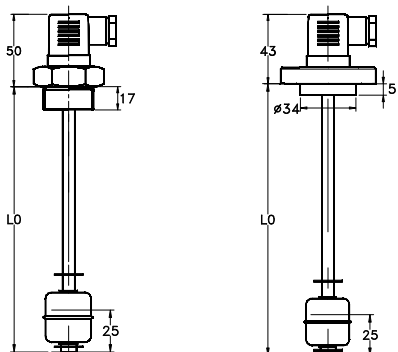
## TECHNICAL DATA

Tab.1

	Description									Codice
Float	∅ 30 x 32 mm		P.S. 0, 75			30 Bar			<b>S29</b>	
	∅ 30 x 32 mm		P.S. 0, 55			10 Bar			<b>S32</b>	
Rod length L0 mm	<b>0100</b>	<b>0150</b>	<b>0200</b>	<b>0250</b>	<b>0300</b>	<b>0350</b>	<b>0400</b>	<b>0450</b>	<b>0500</b>	<b>L0.S</b>
Process connection	Threaded		1" UNI 228/1 male thread				SW 40		<b>25GS</b>	
	Flanged		Double fixing (2 or 3 holes)				∅ 55 mm		<b>FSPX</b>	
Process connection	SPST	N.C.	N.A.	Overturning the float of 180°	300 VAC 350 VDC	50W	70VA	0,5A 0,7A	<b>3</b>	
	SPDT	Changeover contact			150V	20W	20VA	0,5A	<b>7D</b>	
Electrical output	DIN 43650 plug					IP 65			<b>S1</b>	
Max. temperature °C	105°C								<b>L</b>	
Sealing gasket	Viton flat gasket								<b>2</b>	

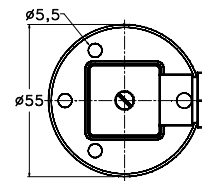
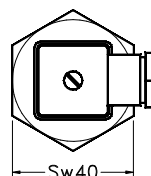
## DIMENSIONS

Tab.2



Threaded version  
1" UNI-228/1 male

Flanged version  
2 holes on ∅43 mm  
3 holes on ∅42 mm

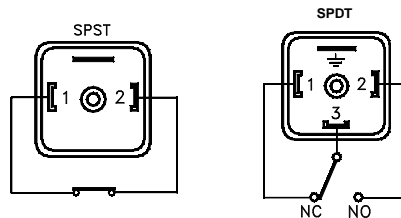


## WIRING

Tab.3

I = Independent C = Common  
Wiring

2 = NC 3 = SPDT  
Contact status in no level condition



## NOMENCLATURE

S1	S29	3	0500	S	25GS	S1	L	2	I2
•									
	•								
		•							
			•						
				•					
					•				
						•			
							•		
								•	
									•

Type
Tab.1 Float
Tab.1 Electrical contact
Tab.1 Total length = L0 mm.
Tab.1 Rod material
Tab.1 Process connection
Tab.1 Electrical output
Tab.1 Temperature class
Tab.1 Sealing gasket
Tab.3 Wiring